

SUPPORT AND WARRANTY

Thank you for purchasing our BROUAV charger. We do our best to provide you with timely and satisfying support. Please contact us with any questions or concerns.

This product is warranted to be free from manufacturer defects for 1 year from original purchase date. Please keep your original proof of purchase for warranty purposes.

Disclaimer: What our manufacturing warranty does not cover.

1. Damage caused by incorrect connections.
2. Damage caused by incorrect operation.
3. Damage caused by impact or drops.
4. Damage from disassembly or modification.
5. Internal damage from moisture, submersion, dust, dirt or other contaminants.
6. Signs of normal wear and tear, scratches, dents and dings.



Note: Any expense exceeding the original purchase price of the charger shall not be borne by BROUAV. We reserve the right to modify the contents of this manual at any time with or without notice.

WARNING!

1. Do not attempt to operate this charger if you are impaired in any way.
2. Do not allow children to be near this charger when it is in operation.
3. Do not allow children to operate this charger.
4. Please turn the power off when the charger is not in use.
5. This charger is for indoor use only.



Shandong Unid Intelligent Technology Co., Ltd
Web: www.brouav.com

The product specifications and information mentioned in this instruction manual are for reference only and are subject to change without prior notice.



Copyright © Shandong Unid Intelligent Technology Co., Ltd

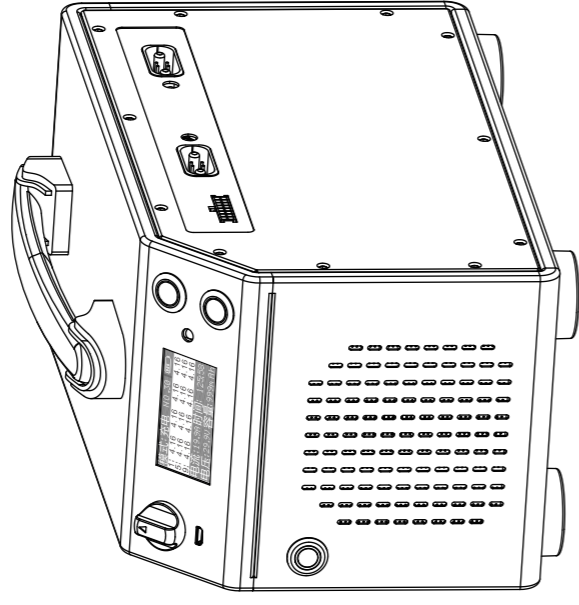
7



PRODUCT MANUAL

U6Q Fast charger

Support LiPo/LiHv/smart battery



For Industrial use only!



Shandong Unid Intelligent Technology Co., Ltd
Tel: +86-532-68076300 Web: www.brouav.com

4

Operating Instructions

The charger is dual channel with independent output and independent interface. Take either channel of the charger for example as below:

1. Startup and Self-Test

The charger automatically count down after getting all the connectors well connected, LCD screen turning on, and buzzer alarming. The charger starts charging normally after the buzzer stops. Long press "Storage" button for more than 2s to function storage.

2. Operation Modes

1. Charging mode: It's an automatically preferred mode after getting the battery well connected, the charger countdown self-checks, automatically detects and starts up charging, or bypassing countdown self-check and directly manual startup.
2. Storage mode: It's a manual mode, while battery is in idle, recommended to take storage every 15 days; or while battery life significantly declines or more than 50mV cell voltage tolerance; In storage mode, the charger charges and discharges with trickle current to get each cell voltage balanced to 3.84-3.86v.
3. Continuous working mode: After getting the charging extension manager connected, the charger automatically detects and switches to continuous working mode. In this mode, automatic mode doesn't work any more, user needs to manually operate and define the continuous working mode once, and then the charger coordinately and continuously work with the charging extension manager until pressing any button to stop or power off.

3. Setting Of Charging Modes

Based on battery capacity and actual application, adjust current switch to right gear.

4. Charging

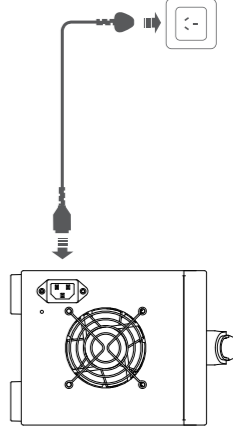
Long press charge button more than 2 seconds to charging mode.
1. Red light on, the charger is charging battery, and LCD display indicates real time charging status.
2. Green light on, charging finished.
3. Press any key to stop charging.

5. Storage

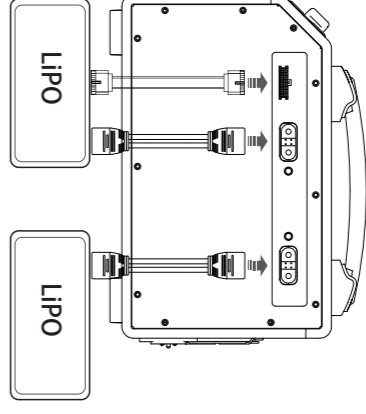
Long press charge button more than 2 seconds to charging mode.
1. Red light on, the charger is charging battery, and LCD display indicates real time charging status.
2. Green light on, charging finished.
3. Press any key to stop charging.

Connection Instructions

1. Connect power cord to AC input port and AC power socket (100-240V, 50/60Hz), and turn on "Power On" switch to start up.



2. Connect each LiPo battery pack to the charger via charging and balance port with compatible connectors as illustrated.



1. Before connecting, please check whether the terminals and wiring harness of the battery pack are damaged or disconnected;
2. When using the adapter cable, be sure to connect according to the positive and negative signs.

⚠ This charger only supports hybrid charging in fast charging mode!
Not Supports different sets and different types of battery hybrid charging in normal and slow charging mode!

3

